

# 2 POST LIFTS

Model shown GEG 250

## GEG 250

Twin hydraulic 5 ton  
2 post lift, with  
electronic safety release  
system, 3 stage arms and  
double height screw pads

Tech Spec	
Post Height	2912 mm
Lifting Height	1900 mm
Overall Width	4028 mm
Drive Through Width	3006 mm
Lift Capacity	5000 kg

**£2250**<sup>+VAT</sup>

Leasing from only £13.02 per week

## GEG 250(e)

Twin hydraulic 5 ton  
2 post lift, with  
electronic safety release  
system, 3 stage arms and  
double height screw pads  
on an H frame

Tech Spec	
Post Height	2952 mm
Lifting Height	1900 mm
Overall Width	4188 mm
Drive Through Width	3002 mm
Lift Capacity	5000 kg

**£2450**<sup>+VAT</sup>

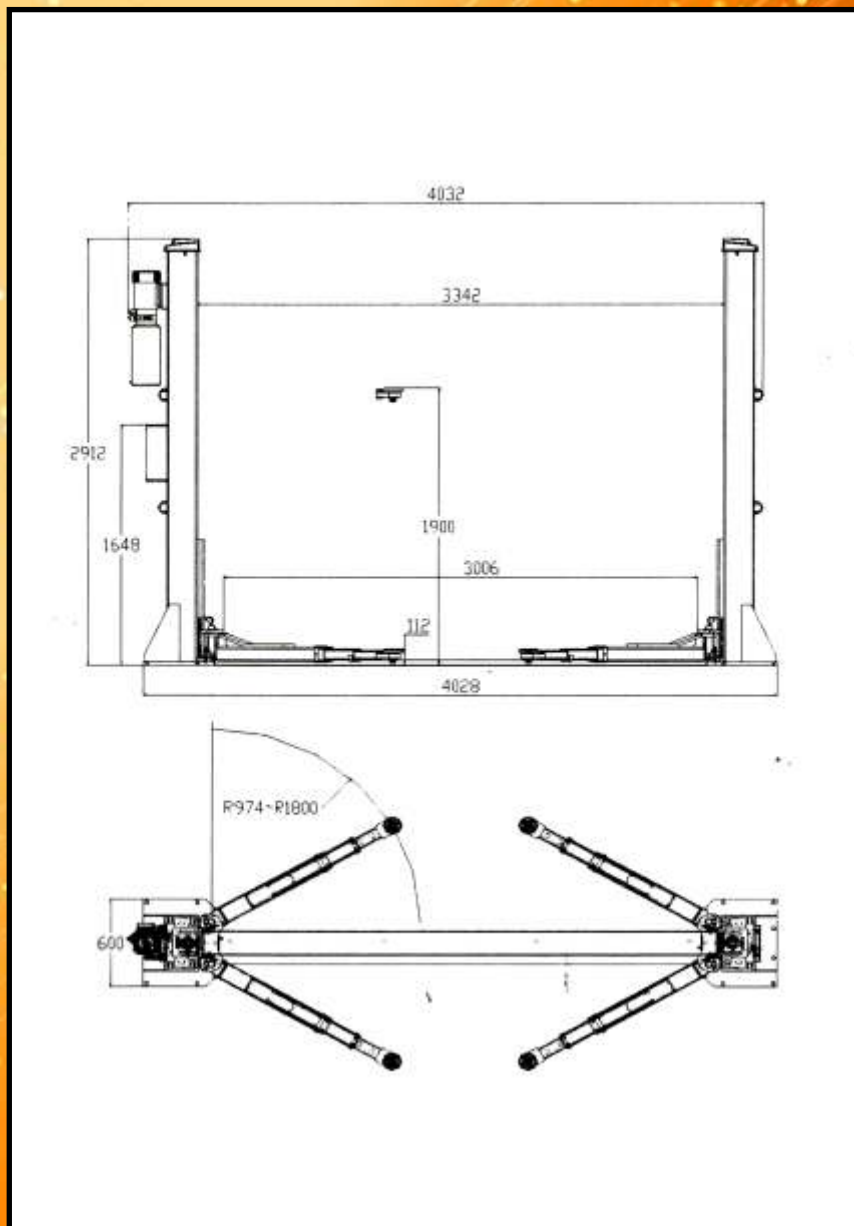
Leasing from only £14.10 per week



PRICE  
INCLUDES  
90MM HEIGHT  
EXTENSIONS

See reverse for dimensions

# GEG 250



# GEG 250(e)

